



# PURO™

CORDLESS VACUUM CLEANER

USER MANUAL



SAVE THIS MANUAL FOR FUTURE REFERENCE



[www.rollibot.com](http://www.rollibot.com)

**Customer Service: 1-844-585-6295**

Dear Puro Owner,

Welcome to the new age of cleaning!

The Puro is the modular powerhouse vacuum that leaves your home looking cleaner than ever before. Whether you need to tidy up your office, home, or even your car; use the Puro to take your cleaning to new heights. The Puro switches instantly from a floor vacuum to a handheld vacuum cleaner at the snap of a button. Use the multiple attachments to tackle corners, carpets and even pets! The Puro can be used to clean floor surfaces as varied as hardwood, linoleum, leather, carpets, and even walls. The Puro was designed to be long lasting, and as powerful as the day you first opened it with cyclone technology that eliminates suction loss when you clean.

Thank you for being a part of the Rollibot family!

— The RolliBot Team

Section 1. Safety Warnings & Guidelines .....	01
1.1 – Safety Warnings .....	01
1.2 – Disposal at End-of-Life.....	02
Section 2. Vacuum Parts.....	03
2.1 – Main Parts.....	03
2.2 – Buttons & Attachments.....	03
Section 3. Charging Instructions.....	04
Section 4. Usage Instructions.....	05
Section 5. Maintenance Instructions.....	07
5.1 – Canister Parts.....	07
5.2 – Detaching & Reattaching the Canister.....	07
5.3 –Cleaning the Canister.....	08
5.4 –Cleaning the Filter .....	09
5.5 – Cleaning the Floor Tool’s Agitator.....	10
Section 6. Storage Instructions.....	11
Section 7. Product Specifications.....	12
Section 8. Troubleshooting.....	12
Section 9. Warranty.....	13
9.1 – Violation.....	13
9.2 – Information.....	13



## Section 1. Safety Warnings & Guidelines


This user manual will guide you through the functions and usage of your RolliBot Puro Cordless Vacuum. It is important that you follow all instructions and take extra caution on all notes that appear throughout this manual. Consult this manual before you attempt to use your RolliBot Puro. If you have questions not answered by this manual or are in need of repair or non-routine service, contact RolliBot customer service at 1-844-585-6295. Before contacting customer service, please have your purchase information ready as this may be needed during the call. This information may be recorded below.

**Date of Purchase:** \_\_\_\_\_

**Place of Purchase:** \_\_\_\_\_

### 1.1 – Safety Warnings

When reading this manual, note these icons:

 Notes with this icon **MUST** be read, understood, and obeyed to prevent injury or damage etc.

 Notes with this icon include relevant information.

#### Overall Usage

- Please check the voltage of the adapter before use. Suitable input voltage range is 100–240V~50/60Hz 0.5A while output range is 26.0V 450 mA.*
- Always turn the Puro off before transporting or storing.*
- Clean the outside with dry, non-abrasive cloth only. Do not spray water or liquids onto the Puro.*
- Do not insert objects into the Puro or allow the Puro to clean up near any part of your body.*
- The Puro is not a toy. Do not leave children or animals unsupervised around the vacuum.*
- Do not place the Puro near any source of significant heat or combustible materials.*
- Do not use the vacuum to clean up anything that is burning or smoking.*
- Do not use the vacuum to clean up bleach, paint, or other chemicals, or anything wet.*
- Remove all objects which may cause damage if cleaned up by the Puro or entangled in its brushes including but not limited to small metal objects like nails and screws, and cords/wires.*
- The vacuum may only be used on dry, indoor surfaces. Do not use outdoors.*
- Use extra care when cleaning on stairs.*
- Do not use the vacuum without the Canister attached.*
- Always connect or disconnect attachments while the vacuum is off.*
- Use only the attachments included in the original packaging or received from RolliBot.*
- Do not use the vacuum for any purpose other than described in this user manual.*

## **Battery & Charging**

- *Before storing, fully charge the battery to prevent over-discharge due to non-use.*
- *Charge indoors only in a clean and dry environment.*
- *Do not store in a dusty environment as with all electronic devices, dust may cause damage over time.*
- *Do not use an adapter with a damaged cord or plug.*
- *If storing for more than 1 month, remove the battery and store separately.*
- *Even if the battery is stored, place it back in the Puro and recharge it once a month.*
- *If the Charging Base and/or its contacts are damaged or obstructed, do not use it.*
- *If you misplace your adapter and/or Charging Base, visit [www.rollibot.com](http://www.rollibot.com) for a replacement.*
- *Batteries perform best after several full charge/discharge cycles.*
- *Please ensure the adapter is fully inserted and/or connected to the wall outlet before charging. Improper insertion may result in electric shock, short circuiting, smoke, or fire.*
- *Puro may not be used with any type of power converter.*
- *Store the Puro indoors at a dry and stable temperature. Do not store in an unheated garage, shed, or other location with extreme temperature fluctuations.*
- *Use only the battery included in the original packaging or received from RolliBot.*
- *Use only the adapter included in the original packaging or received from RolliBot.*

### **1.2 – Disposal at End-of-Life**

This product must not be disposed of by incineration, landfilling, or mixing with household trash. Improper disposal of the battery contained within this product may result in the battery heating up, rupturing, or igniting which may cause serious injury. The substances contained inside the battery present chemical risks to the environment. The recommended disposal for any RolliBot Puro at its end-of-life is to dispose of the entire unit at or through an e-waste recycling center, program, or facility. Local regulations and laws pertaining to the recycling and disposal of lithium ion batteries and/or products containing them will vary according to country, state, and local governments. You must check laws and regulations corresponding to where you live in order to properly dispose of the battery and/or unit. It is the user's responsibility to dispose of their waste equipment properly with accordance with local regulations and laws.

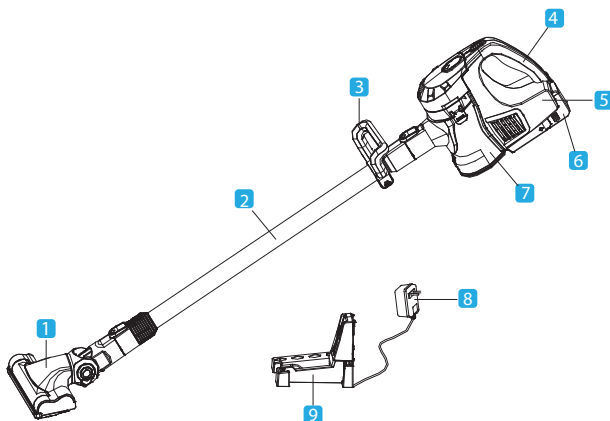
For additional information about where you should drop off your batteries and electrical or electronic waste, please contact your local or regional waste-management office, your household waste disposal service, or your point-of-sale.

## Section 2. Vacuum Parts

The Puro Vacuum comes with various parts and attachments. After first opening your vacuum, ensure that all the main parts are accounted for.

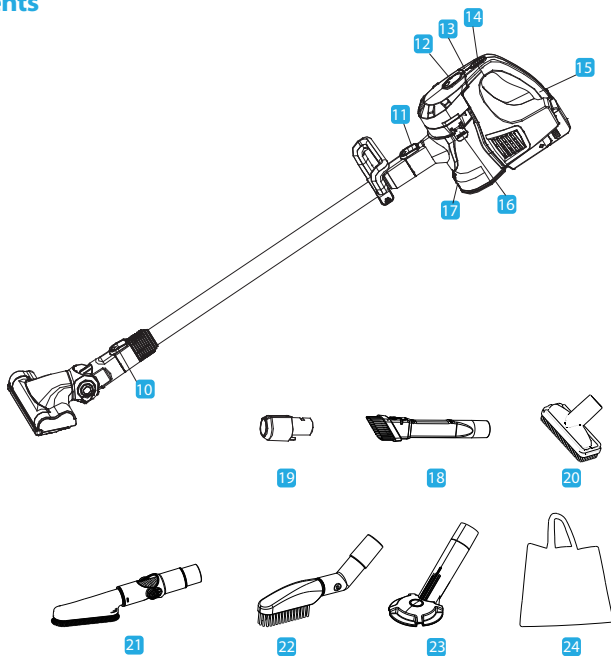
### 2.1 – MainParts

- 1 Floor Tool
- 2 Extension Tube
- 3 Detachable Handle
- 4 Main Body Handle
- 5 Main Body
- 6 Battery
- 7 Canister
- 8 Adapter
- 9 Charging Base



### 2.2 – Buttons & Attachments

- 10 Tube Lock
- 11 Main Lock
- 12 Body Lock
- 13 Indicator Light
- 14 Power Switch
- 15 Battery Lock
- 16 Canister Clips
- 17 Canister Lock
- 18 Crevice Tool& Brush
- 19 Universal Connector Tube
- 20 Fabric Tool
- 21 Dusting Tool
- 22 Angled Brush Tool
- 23 Pet brush tool
- 24 Storage Bag

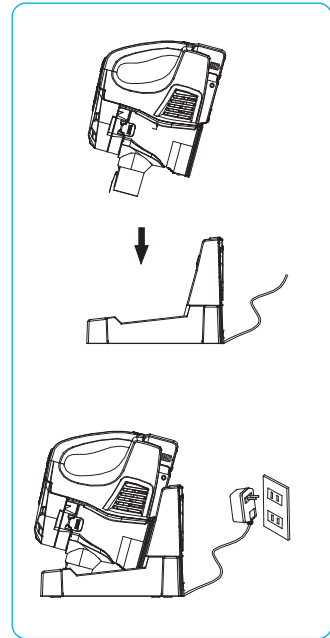


- The Puro comes with 1x standard filter and 1x sponge filter preinstalled within the Canister.
- The Puro comes with the battery pack preinstalled within the main body of the vacuum.
- The Crevice Tool comes with a sliding brush attached.
- The Connector may come already attached to an attachment. Pull it out to remove it.
- The Charging Base may come unassembled. Push the top piece into the bottom to assemble.

### Section 3. Charging Instructions

The Puro comes with a preinstalled 2200mAh, lithium-ion rechargeable battery . Before using your vacuum for the first time, the battery must be charged. The battery is charged when the Puro connects to its Charging Base. Ensure the Charging Base is assembled first; the top and bottom pieces will snap into place. After assembly, see the following images and instructions.

- Step 1** Place the Charging Base on the floor.
- Step 2** Place the vacuum into the base so that the contacts on vacuum's underside and the contacts on the base of the Station connect.
- Step 3** Check the adapter for the correct information (Input 100-240V~50/60Hz 0.5A & Output 26.0V 450 mA) then plug the adapter into the wall.
- Step 4** Charge for 5.5 hours. While charging, the Indicator will turn red and blink.
- Step 5** When the Puro is fully charged, the Indicator will stop blinking. Turn off the Puro if it will not be used immediately.
- Step 6** Use the back of the base to manage adapter cables as desired.
- Step 7** Use the compartments in the base to store attachments as desired.

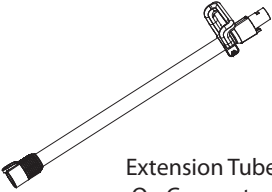
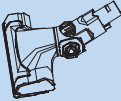
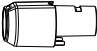
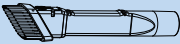
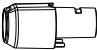
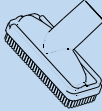
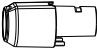




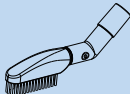
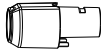
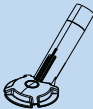
- Charging longer than 5.5hrs may affect battery life.
- Batteries perform best after several full charge/discharge cycles.
- If the Puro doesn't charge, ensure the adapter is securely connected to its power source.
- If you misplace your adapter and/or Charging Base, visit [www.rollibot.com](http://www.rollibot.com) for a replacement.

## Section 4. Usage Instructions

The Puro comes with various accessories which can be used depending on your cleaning needs. When using the attachments, use the Main Body and different connection types according to the type of attachment needed. See below for more information on how the different pieces connect to the vacuum's Main Body.

When using the vacuum, assemble the desired connection and attachment then turn the vacuum on. If using the Extension Tube, adding the Detachable Handle may make using the vacuum easier. Note, the maximum working time for the Puro vacuum is approximately 25-28 minutes. While using the vacuum, the Indicator near the Power Switch will turn green and remain on. If the light turns off, the vacuum is on low battery ; stop cleaning and recharge it. See Section 3 for charging instructions.

Connection Type	Attachment Type	Increase line spacing
 <p>Extension Tube Or Connector</p>	 <p>Motorized Floor Tool</p>	For general dirt and debris.
 <p>Universal Connector Tube</p>	 <p>Crevice Tool &amp; Brush</p>	For general dirt and debris in small or hard to reach areas.
 <p>Universal Connector Tube</p>	 <p>Fabric Tool</p>	For debris on standard or low-pile fabrics such as leather, cotton, and most other materials, etc.
 <p>Universal Connector Tube</p>	 <p>Dusting Tool</p>	For dust and debris on most surfaces and/or in hard to reach areas.

 <p>Universal Connector Tube</p>	 <p>Angled Brush Tool</p>	<p>For general dirt and debris in narrow or hard to reach areas.</p>
 <p>Universal Connector Tube</p>	 <p>Pet Brush Tool</p>	<p>For small, pet-related debris and/or pet hair.</p>



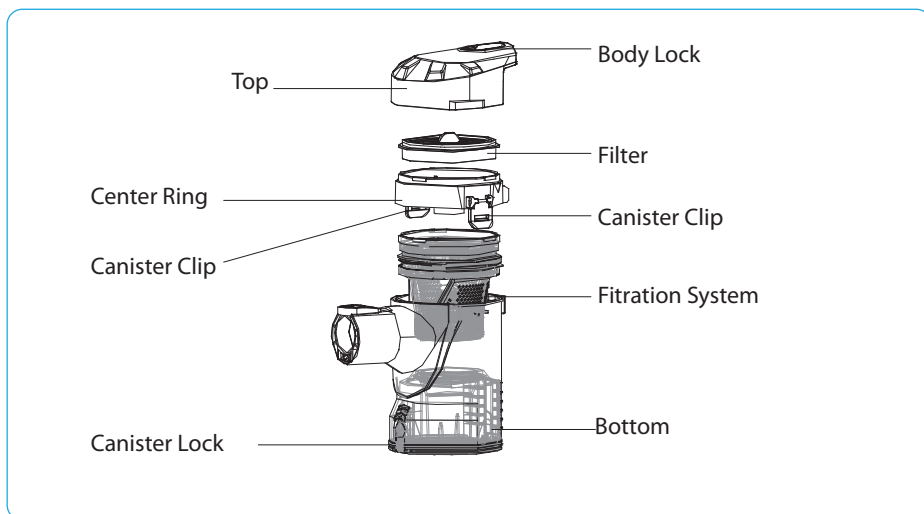
- Always connect or disconnect attachments while the vacuum is off.
- Do not insert objects into the Puro or allow the Puro to clean up near any part of your body.
- Do not block the Puro's exhaust vents. Obstructing ventilation may cause overheating and malfunctions.
- Do not use the Puro to pick up anything that is burning or smoking.
- Do not place the Puro near any source of significant heat or combustible materials.
- The Puro is not a toy. Do not leave children or animals unsupervised around the vacuum.
- Do not use the vacuum to clean up bleach, paint, or other chemicals, or anything wet.
- Remove all objects which may easily cause damage if cleaned up by the Puro or entangled in its brushes including but not limited to small metal objects like nails and screws, and cords/wires.
- The vacuum may only be used on dry, indoor surfaces. Do not use outdoors.
- Use extra care when cleaning on stairs.
- Do not use the vacuum without the Canister attached.
- Use only the attachments included in the original packaging or received from RolliBot.
- After using the Puro Vacuum and/or any of its attachments, be sure to turn it off and leave it near its Charging Base or store as desired. For storage instructions, see Section 6.

## Section 5. Maintenance Instructions

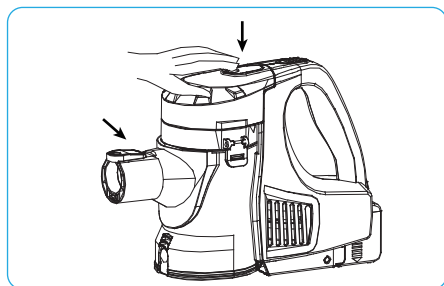
As with proper storage, proper maintenance will help improve your Puro vacuum's performance. Periodically, the Canister will need to be emptied and its filter cleaned. It is also recommended to inspect all attachments and clean everything regularly. Please make sure your vacuum is completely powered off before performing any type of maintenance.

- ❗ • *Clean the outside with dry, non-abrasive cloth only. Do not spray water or liquids onto the Puro.*
- *Do not perform any maintenance when the power is on or the battery is charging.*
- *Do not place the Puro near any source of significant heat or combustible materials.*

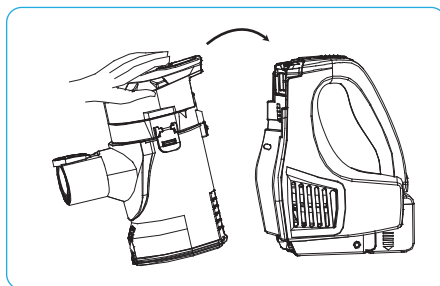
### 5.1 – Canister Parts



### 5.2 – Detaching & Reattaching the Canister

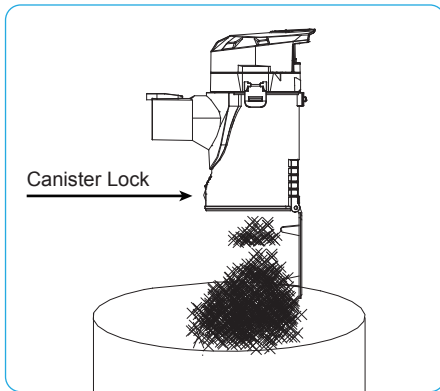


**Step 1** Press the Body Lock to remove the Canister from the Main Body of the vacuum.

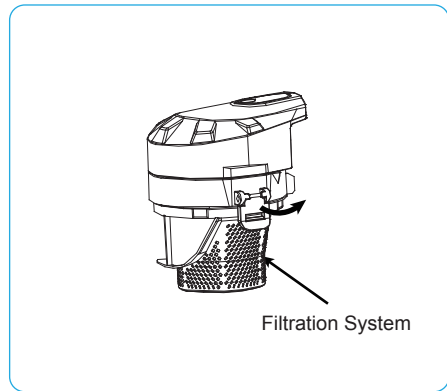


**Step 2** Reattach the Canister to the Main Body. For a secure fit, make sure the notches on each part connect.

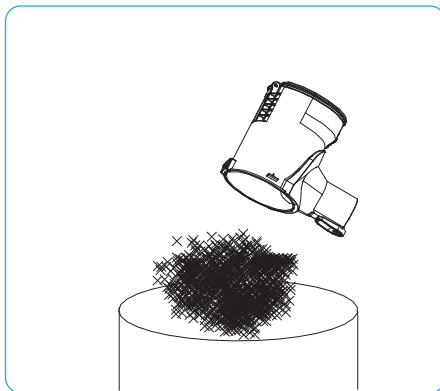
### 5.3 –Cleaning the Canister



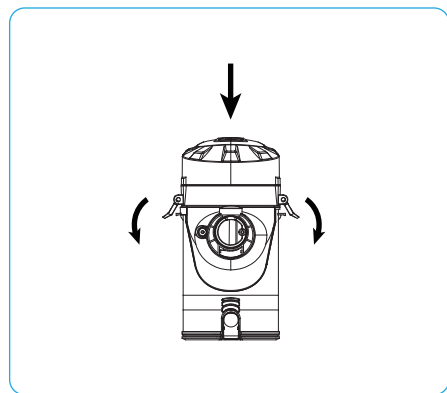
**Step 1** Detach the Canister from the Main Body as seen in Section 5.2. Hold the Canister over a wastebin and press the Canister Lock to open it. Empty the bottom.




**Step 2** Lift the Canister clips to unfasten the top and connected Filtration System. Set these parts aside.



**Step 3** Hold the Canister over a waste bin and empty the top.

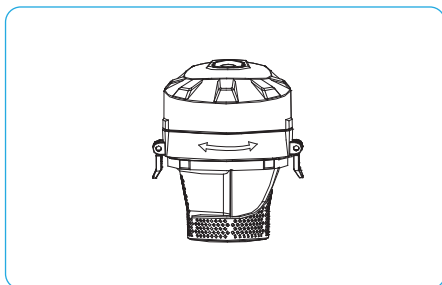


**Step 4** Return the top and connected Filtration System to the Canister. Fold the Canister clips down to refasten the top. Reattach the Canister to the Main Body as seen in Section 5.2.

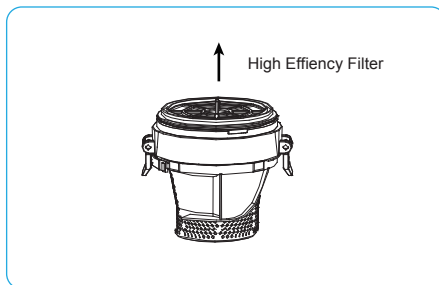
 *If needed, the Canister may be wiped clean on both the interior and exterior with a water-dampened cloth. If any water comes in contact with the Canister, ensure it is fully dried before reattaching it to the Main Body of the vacuum. Do not submerge the Canister at any time.*



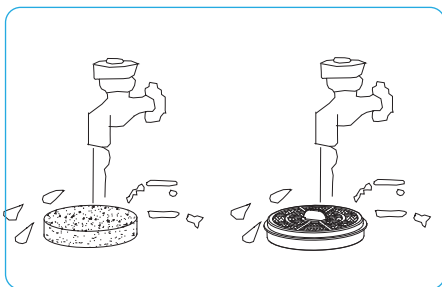
## 5.4 –Cleaning the Filter



**Step 1** Detach the Canister from the Main Body as seen in Section 5.2. Holding the top and bottom of the Canister, twist the top until it opens.



**Step 2** Take out the Filter and separate the mesh from the sponge.

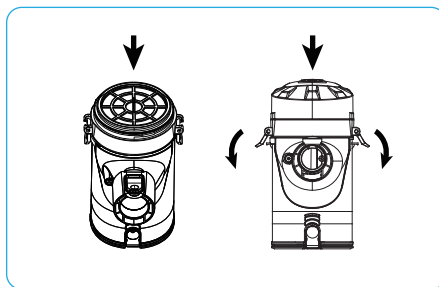


**Step 3** Rinse one or both parts of the filter if desired. After rinsing, allow 24 hours' time for the filter to dry.

**!** Do not dry in any kind of oven or via heaters or dryers.

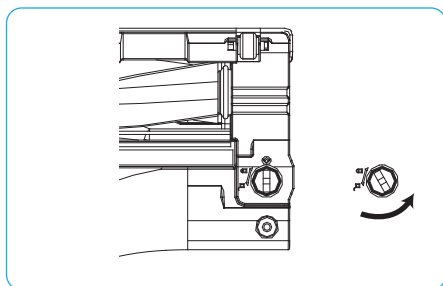


- Allowing debris to remain in the filter will keep the Puro's filtration from working properly.
- If rinsed, the filter **MUST** be fully dried before reinstalling. If water enters the inside of the Puro, the vacuum may sustain serious internal damage.
- To purchase additional filters, please visit our website at [www.rollibot.com](http://www.rollibot.com).

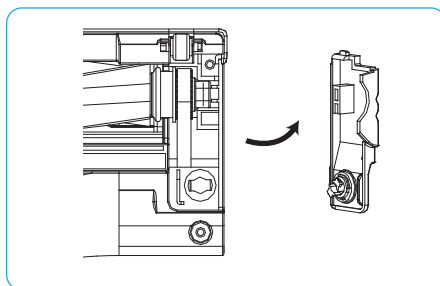


**Step 4** Reinstall the filter and top of the Canister then reattach the Canister to the Main Body as seen in Section 5.2.

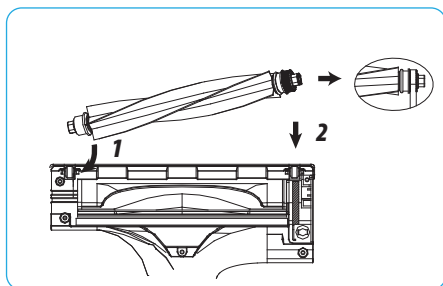
## 5.5 –Cleaning the Floor Tool’s Agitator



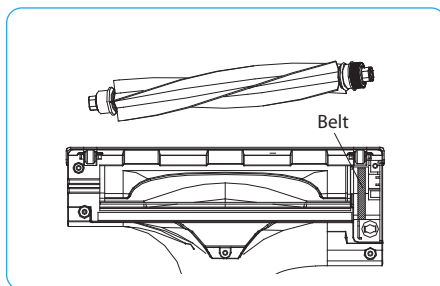
**Step 1** Detach the Floor Tool from the vacuum. Use the notch to turn the latch’s lock counter-clockwise.



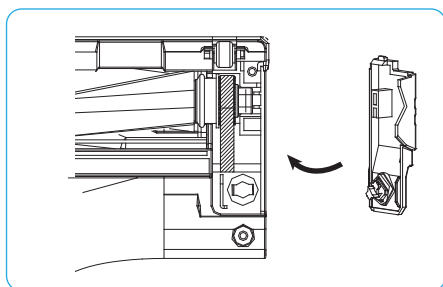
**Step 2** Remove the latch.



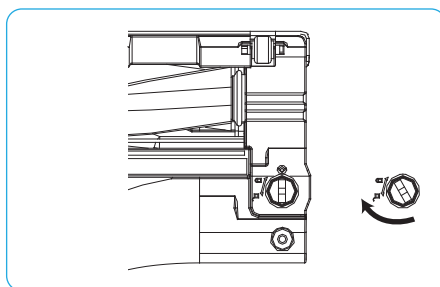
**Step 3** Lift the agitator up slightly and carefully pull the belt off.



**Step 4** Lift the agitator out, hold it over a waste bin, and shake off any dust. Pull or cut out any entangled debris as needed.



**Step 5** Replace the agitator, pull the belt back on the right side, and replace the latch.



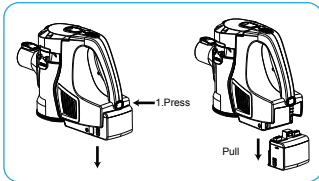
**Step 6** Use the notch to turn the latch’s lock clockwise.



Any attachment with bristles can be cleaned the same way as a brush. Hold the attachment over a waste bin, shake off any dust, and pull or cut out any entangled debris as needed.

## Section 6. Storage Instructions

Before using your vacuum, ensure the storing environment is suitable. Properly storing your Puro will help improve performance and battery life expectancy.



**Step 1** Ensure the Puro is fully charged. Charge it if needed.

**Step 2** Turn the Puro off.

**Step 3** If the vacuum will not be used for a long period of time, remove the battery.

**Step 4** Store the Puro and its battery indoors at a dry and stable temperature.

- Always turn the Puro off before transporting or storing.
- Before storing, fully charge the Puro to prevent battery over-discharge due to non-use.
- Do not store in a dusty environment as, with all electronic devices, dust may cause damage over time.
- If storing for more than 1 month, remove the battery and store separately.
- Even if the battery is stored, place it back in the Puro and recharge it once a month.
- Store the Puro indoors at a dry and stable temperature. Do not store in an unheated garage, shed, or other location with extreme temperature fluctuations.

## Section 7. Product Specifications

Items	Parameters
Dimensions	45.9x8.6x 8.4in.
Net Weight	3~5 lbs.
Battery Type	2200 mAh, Lithium-Ion
Charging Time	5.5 hrs.
Working Time	25-28 min.
Main Body Motor	DC22.2V/120W Max (Puro 100) & DC22.2V/140W Max (Puro 200B)
Floor Tool Motor	DC22.2V/6W
Suction (psi)	1.45-1.60 (Puro 100) & 0.73~0.94 (Puro 200B)
Max. Suction Power	~25AW (Puro 100) & ~20AW (Puro 200B)
Dust Filter Efficiency	95%
Sound Level	≤ 76 dB
Canister Capacity	16oz (0.5 L)
Filtration System	Multi-level + High-Performance Filter
Operating Temperature	63°F to 73°F, <70% RH
Adapter Input	100-240V~50/60Hz 0.5A
Adapter Output	26.0V 450 mA

## Section 8. Troubleshooting

Problem	Possible Cause	Solution(s)
The vacuum won't charge.	1. The contacts on the Charging Base or underneath Puro may need cleaning.	1. Clean all contacts with dry, non-abrasive cloth then resume charging.
	2. The contacts are not touching.	2. Ensure the Puro's Main Body is fully seated in the Charging Base. The vacuum will not charge if the contacts do not touch.
The vacuum doesn't work.	1. The vacuum isn't receiving power.	1. Ensure the battery is fully installed in the Main Body. Remove and reinstall if needed.
	2. The battery is dead.	2. Recharge the vacuum.
The vacuum's suction is weak.	1. Likely, the Canister is full.	1. Clean out the Canister.
	2. The battery is low.	2. Recharge the vacuum.
Dust is escaping the vacuum.	1. Likely, the Canister is full.	1. Clean out the Canister.
	2. The Canister is open.	2. Ensure the lock button at the bottom of the Canister is not open.

If the information in Section 8 did not resolve your issue, please visit our website at [www.rollibot.com](http://www.rollibot.com) or contact customer support [1-844-585-6295](tel:1-844-585-6295).

## Section 9. Warranty

### 9.1 – Violation

The vacuum cannot be repaired or serviced within its warranty period if any of the following has occurred:

- Failure to store the vacuum properly as indicated in this manual
- The warranty has expired
- Damage occurred during or in relation to non-routine and/or unauthorized disassembly
- Failure to provide a valid proof of purchase when requesting service or repair
- Damage occurred as a result of natural disaster etc.
- Damage occurred due to unexpected factors or man-made reasons (including mis-operation, fluid found in any openings, improper insertion or pulling, hauling, bumping, improper voltage input and others).

### 9.2 – Information

#### One Year Limited Hardware Warranty

Your RolliBot Puro Cordless Vacuum (“Product”) includes a One Year Limited Hardware Warranty (“Warranty”). The Warranty covers product defects in materials and workmanship under normal use. This Warranty is limited to residents of the United States and Canada only and is available only to original purchasers. This Warranty gives you specific legal rights and you may also have other rights which vary from state to state.

This Warranty starts on the date of your purchase and lasts for one year (the “Warranty Period”). The Warranty Period is not extended if the Product is repaired or replaced. We may change the availability of this limited warranty at our discretion, but any changes will not be retroactive.

Warranty services are provided by Warranty Pro. If a hardware defect arises and a valid claim is received within the Warranty Period, at its option and to the extent permitted by law, RolliBot will: (1) repair the hardware defect by using new or refurbished parts that are equivalent to new in performance and reliability; or (2) exchange the Product with a product that is new or refurbished which is substantially equivalent to the original product. This Warranty is for one replacement only of like-items and does not cover items out of production if the product is no longer made or stocked. This Warranty is not assignable or transferable. The original purchaser may call RolliBot’s toll-free number at 1-844-585-6295 for service request.

When a product or part is exchanged, any replacement item becomes your property and the replaced item becomes RolliBot’s property. This warranty only covers technical hardware defectiveness during the warranty period and under normal use conditions. RolliBot does not warrant uninterrupted or error-free operation of this Product.

This Warranty does not cover any damage due to: (a) transportation; (b) storage; (c) improper use; (d) failure to follow the product instructions or to perform any preventive maintenance; (e) modifications; (f) unauthorized repair; (g) normal wear and tear; or (h) external causes such as accidents, abuse, or other actions or events beyond our reasonable control.

**Important:** Do not disassemble the Product. Disassembling the Product will void this Warranty. Only RolliBot or a party expressly authorized by RolliBot should perform service on this Product.

**DISCLAIMER OF WARRANTY:** THE REMEDIES DESCRIBED ABOVE ARE YOUR SOLE AND EXCLUSIVE REMEDIES AND OUR ENTIRE LIABILITY FOR ANY BREACH OF THIS LIMITED WARRANTY. OUR LIABILITY SHALL UNDER NO CIRCUMSTANCES EXCEED THE ACTUAL AMOUNT PAID BY YOU FOR THE DEFECTIVE PRODUCT, NOR SHALL WE UNDER ANY CIRCUMSTANCES BE LIABLE FOR ANY CONSEQUENTIAL, INCIDENTAL, SPECIAL OR PUNITIVE DAMAGES OR LOSSES, WHETHER DIRECT OR INDIRECT.

SOME STATES DO NOT ALLOW THE EXCLUSION OR LIMITATION OF INCIDENTAL OR CONSEQUENTIAL DAMAGES, SO THE ABOVE LIMITATION OR EXCLUSION MAY NOT APPLY TO YOU.

THE DURATION AND REMEDIES OF ALL IMPLIED WARRANTIES, INCLUDING WITHOUT LIMITATION THE WARRANTIES OF MERCHANTABILITY.