

# Ceiling Fan Light Kit

P6004

User Manual

In order to continue serving our customers and providing the best products, our product information including our user manuals may receive updates from time to time. Please check our website for the latest user manuals and product materials.

[Rollibot.com](http://Rollibot.com)





# Table of Contents

<b>Section 1: Safety Precautions</b> .....	1,2
<b>Section 2: Box Contents</b> .....	3
<b>Section 3: Fan Overview</b> .....	4
<b>Section 4: Assemble Downrod</b> .....	5
4.1: Install Downrod Lower Part .....	6
4.2: Install Downrod Upper Part .....	7
<b>Section 5: Install LED Light Bulbs</b> .....	8,9
<b>Section 6: Install Mounting Bracket</b> .....	10
<b>Section 7: Mount The Fan</b> .....	11
<b>Section 8: Electrical Wiring</b> .....	12,13
8.1: Wiring Overview .....	12
8.2: Wireless Controller Wiring .....	13
<b>Section 9: Install Wireless Controller</b> .....	14
<b>Section 10: Complete Installation</b> .....	15
<b>Section 11: Start To Use</b> .....	16
<b>Section 12: Remote Control</b> .....	17
<b>Section 13: Maintenance</b> .....	18
<b>Section 14: Specification</b> .....	18
<b>Section 15: Warranty Info</b> .....	19,20



## **READ AND SAVE THESE INSTRUCTIONS**

### **WARNING**

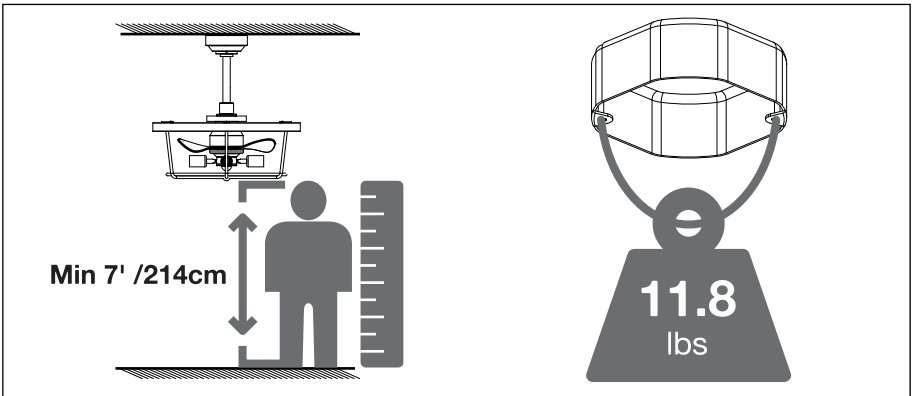
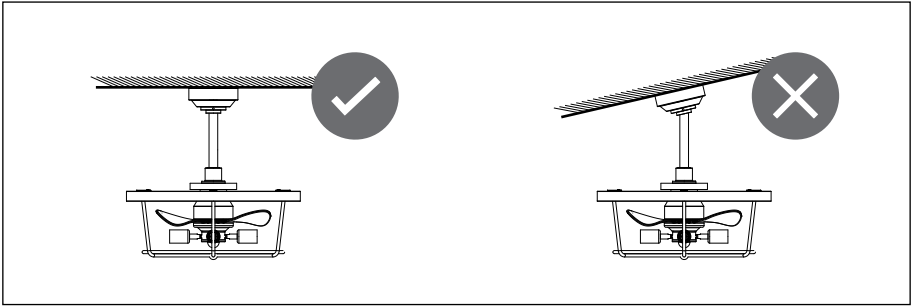
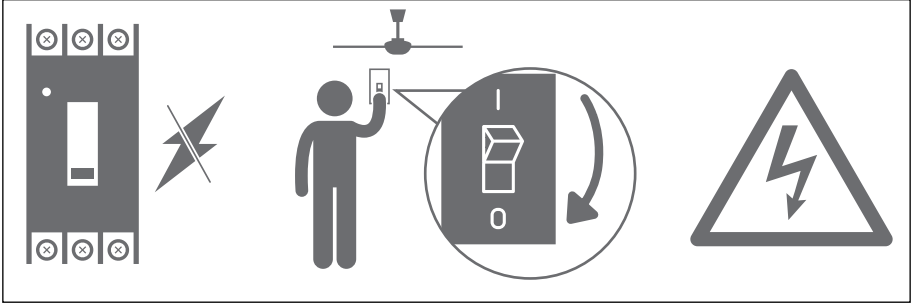
- **Electrical Hazard:** Installation of this ceiling fan involves working with electricity. Before beginning installation, ensure that the power to the circuit is switched off at the breaker box to prevent electric shock.
- **Heavy Objects:** Ceiling fans can be heavy. Use caution when lifting and installing the fan to avoid injury or damage to property. Ensure proper support for the fan during installation.
- **Height Considerations:** When installing the ceiling fan, be mindful of the height of the ceiling and the length of the downrod to prevent the fan from being installed too close to the ceiling or floor.
- **Moving Parts:** Keep hands and fingers away from moving parts during installation and operation to avoid injury. Ensure that the fan blades are securely attached before turning on the power.
- **Secure Mounting:** Ensure that the ceiling fan is securely mounted to a ceiling joist or support structure. Use appropriate hardware and follow manufacturer's instructions to prevent the fan from falling.

### **CAUTION**

- **Sharp Edges:** Some parts of the ceiling fan, such as the screws and mounting brackets, may have sharp edges. Handle with care to avoid cuts or abrasions.
- **Wiring:** Take care to properly route and secure wiring during installation to prevent it from coming into contact with moving parts or becoming damaged.
- **Balance:** Ensure that the ceiling fan is properly balanced during installation to prevent wobbling or noise during operation. Use a balancing kit if necessary.
- **Clearance:** Maintain adequate clearance around the fan blades to prevent obstruction of airflow and to ensure safe operation.
- **Professional Installation:** While installation instructions are provided, it is recommended to seek the assistance of a qualified electrician or technician if you are not comfortable with electrical work or installation procedures.
- **Remote Control:** The ceiling fan comes with a remote control, ensure that the batteries are installed correctly and replaced as needed. Keep the remote away from water and heat sources to prevent damage.

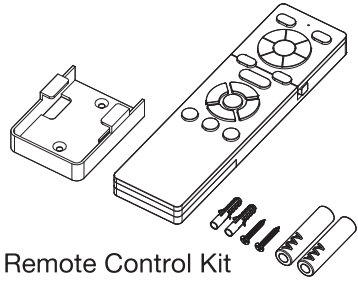
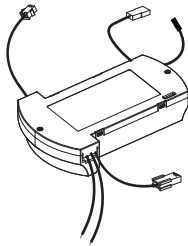
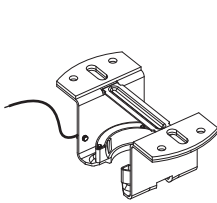
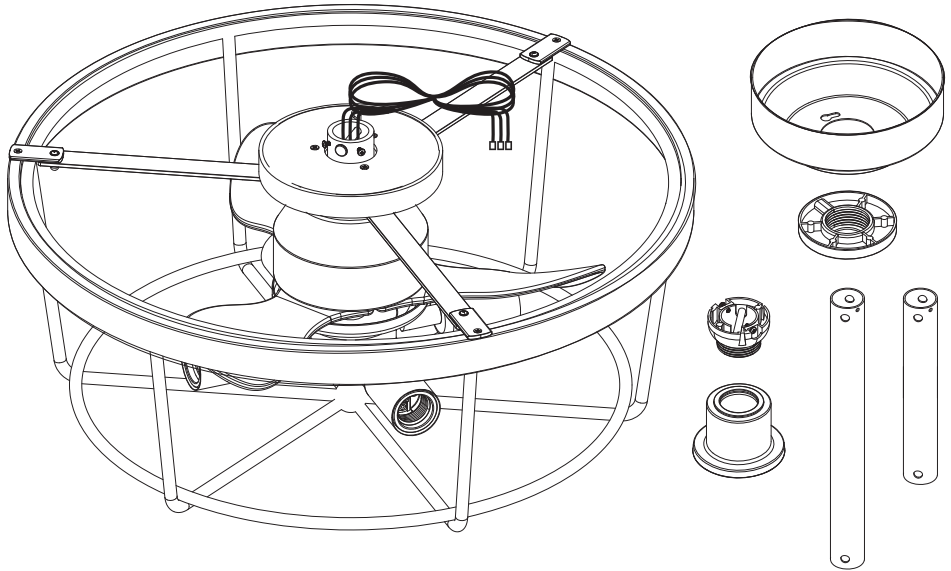


# Notice Before Installation

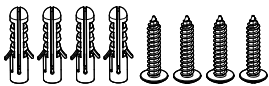


# Box Contents

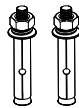
- Note: Some components and screws may arrive pre-assembled, while others may require disassembly before installation.



Remote Control Kit



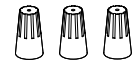
Wood Ceiling Screw Kit



Concrete Ceiling Screw Kit



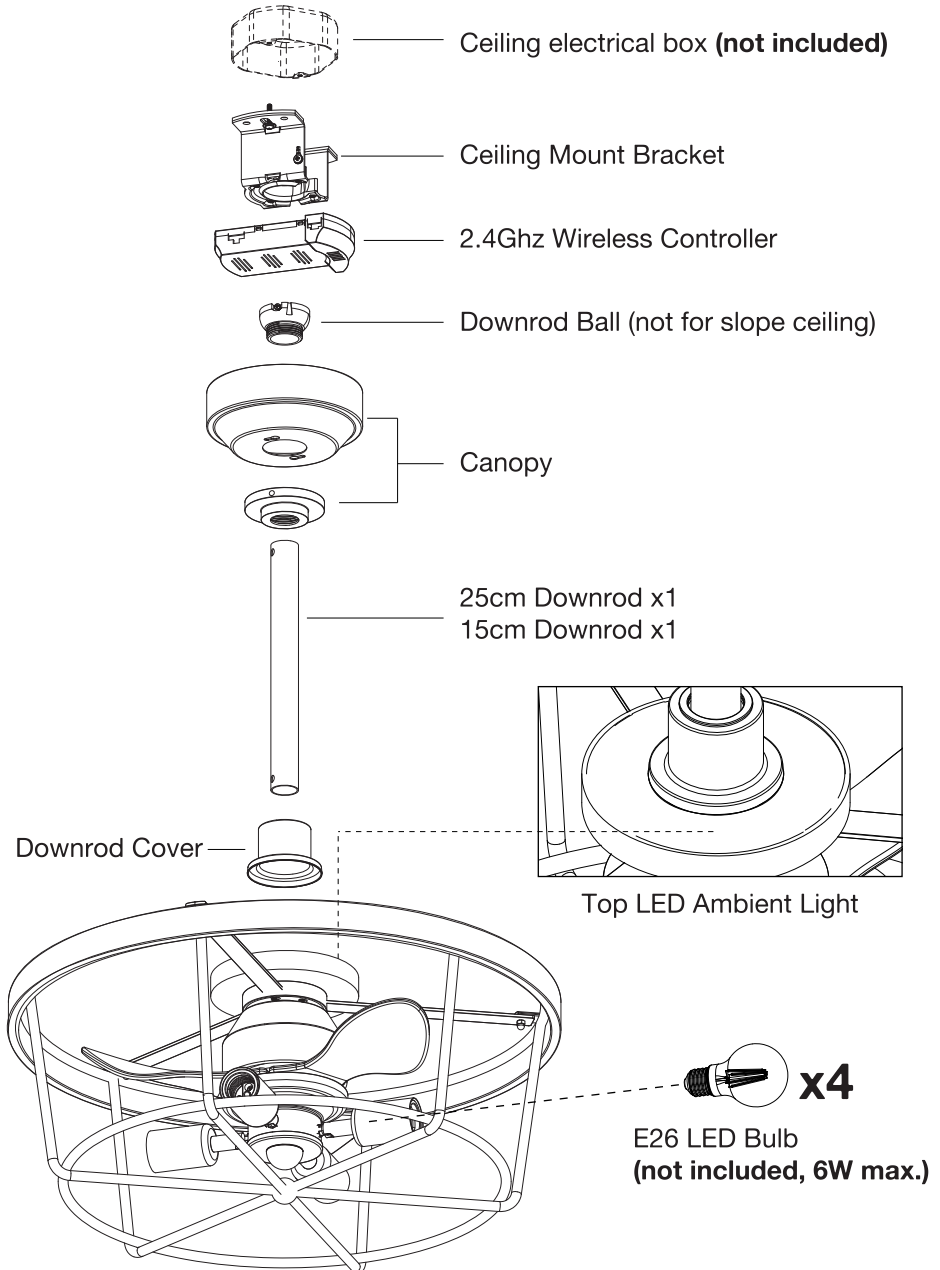
Ceiling Box Screws



Wire Connector Caps

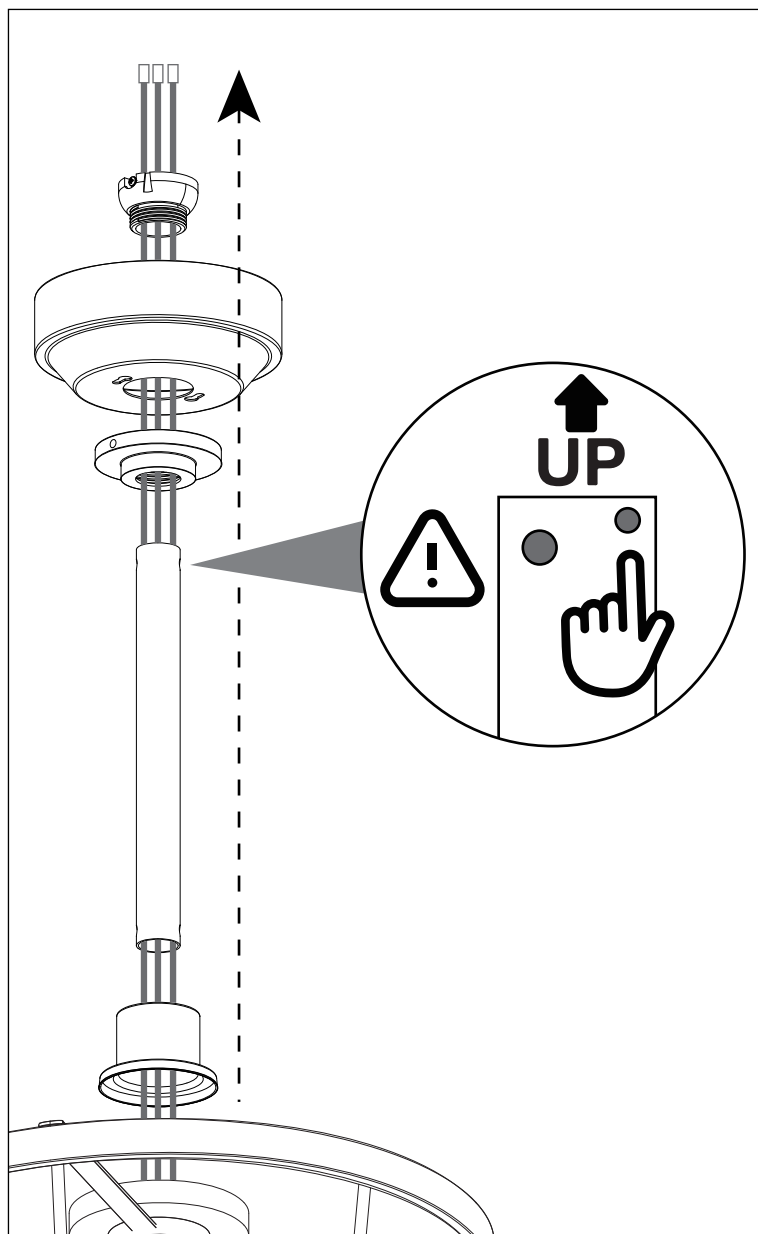
# Fan Overview

- Note: Handle the fan parts with care, avoiding carrying the parts by holding the electrical wires, as this can cause them to break. To prevent damage to your floor or table, place the fan's metal parts on a soft mat to avoid scratches.

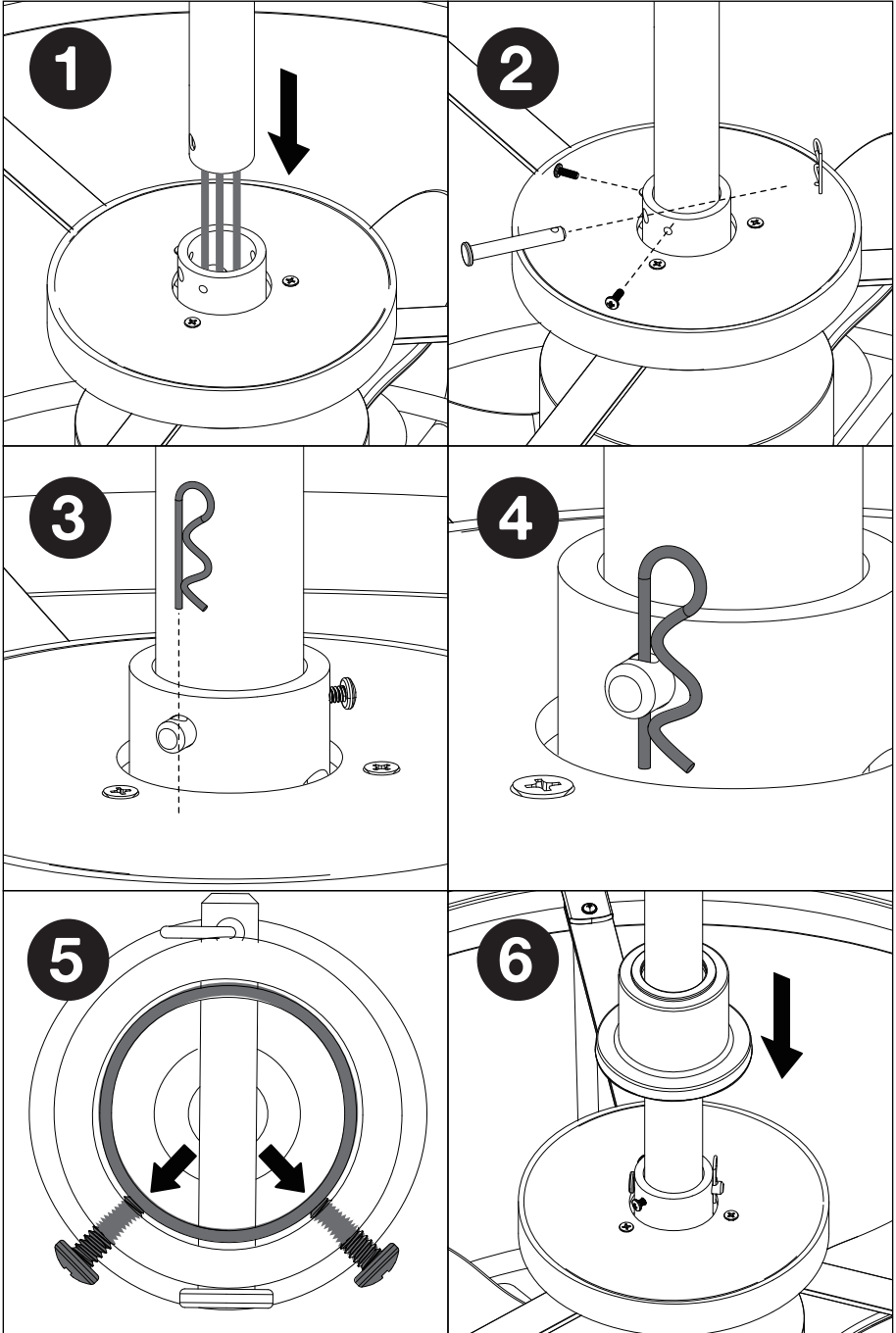


## Assemble Downrod

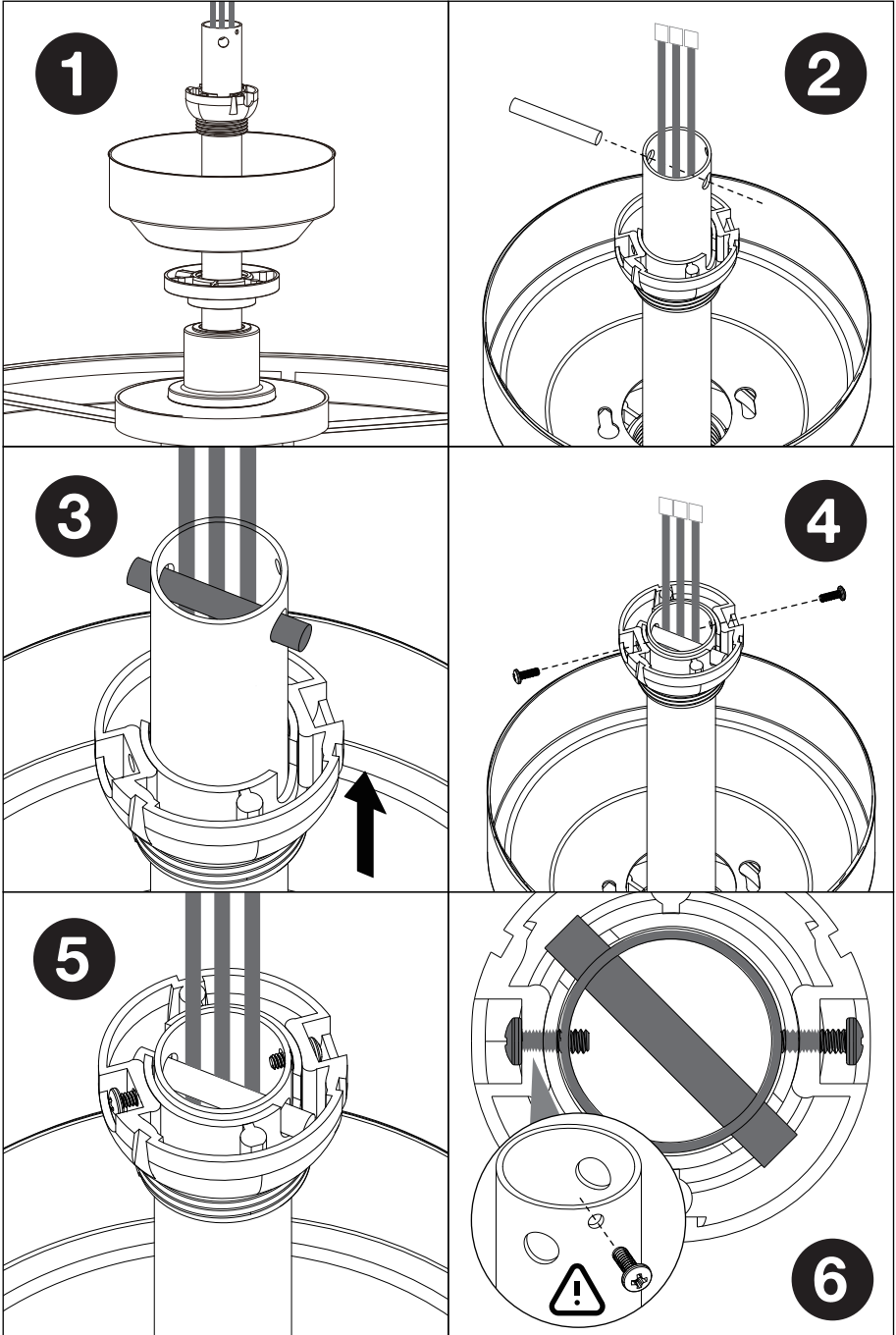
- Select the appropriate length of downrod to begin, either 25cm or 15cm.
- Insert the electric wires of the fan through the downrod, canopy parts, and downrod ball in the following order:



# Install Downrod Lower Part

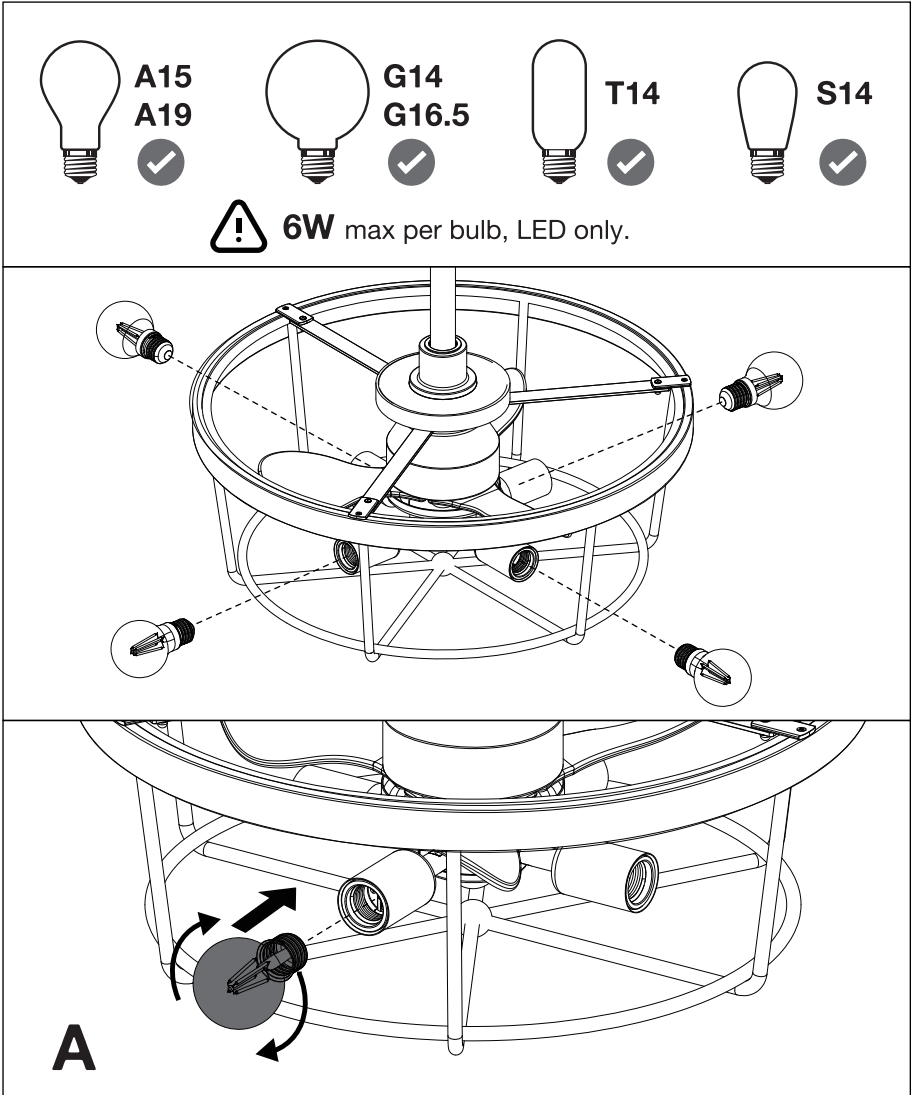


# Install Downrod Upper Part



# Install LED Light Bulbs

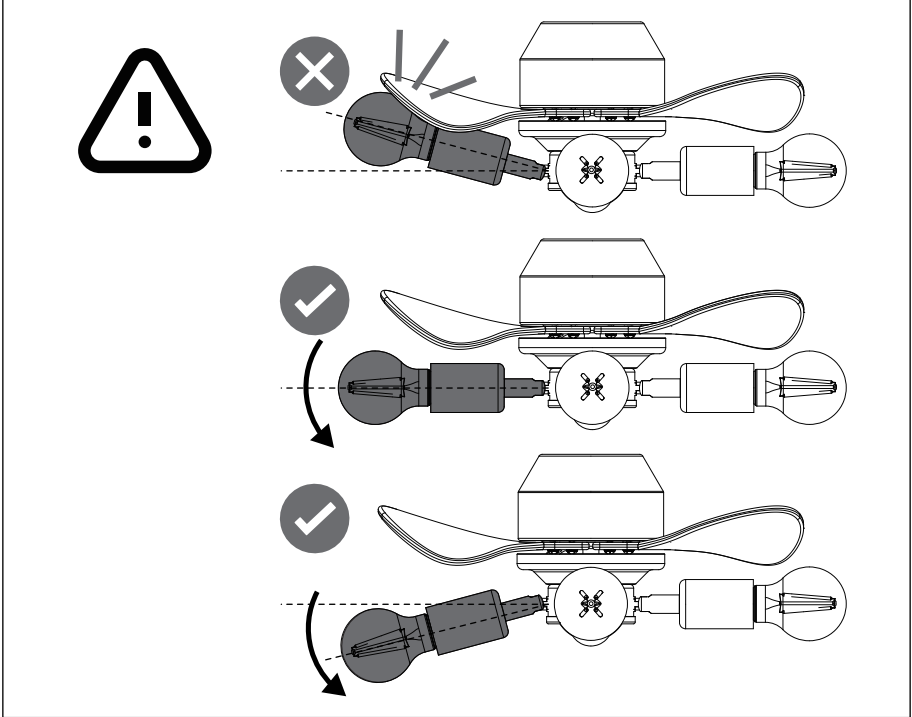
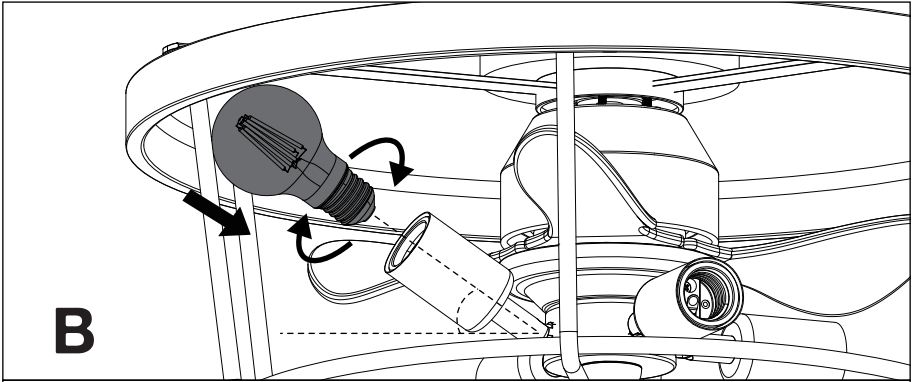
- Note: **LED bulbs are sold separately.** Verify that the LED bulbs are compatible with your ceiling fan. The wattage of each LED bulb should not exceed 6W, and the total combined wattage for all bulbs should not exceed 24W. LED bulbs come in various base types, ensure that the base type of the LED bulbs matches the E26 socket type of the ceiling fan.
- The fan light kit does not support dimming for dimmable bulbs.



# Install Bulbs Important Note



Two of the bulbs may need to be installed by adjusting the bulb socket to the appropriate angle of elevation. After screwing the bulbs in place, adjust the bulb socket to a horizontal or downward (depression) position. Failure to follow these instructions may result in the fan blades damaging the bulbs.



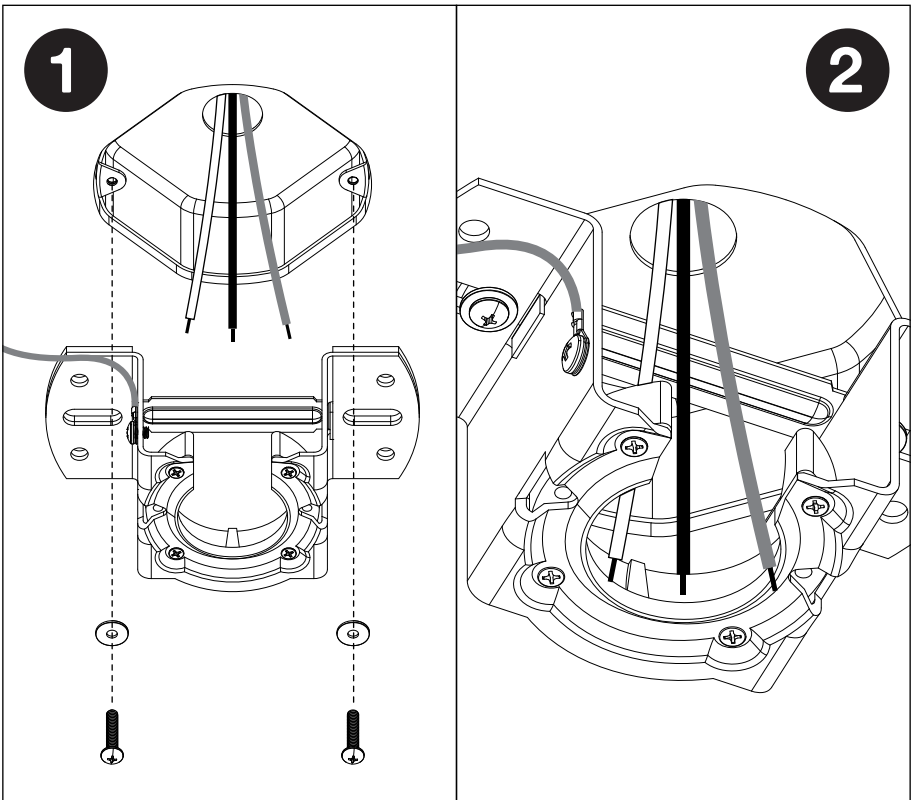


# Install Mounting Bracket



Confirm that your existing electrical ceiling box can support the weight of the fan, which is 11.8 lbs. It is recommended to use a ceiling fan box with a bar hanger.

- If there is an existing ceiling fan or light fixture, remove it by loosening the screws or nuts securing it to the electrical box and disconnecting the wires.
- Ensure that the ceiling electrical box is securely mounted to the ceiling joist or support structure. If necessary, reinforce the electrical box or replace it with a ceiling fan-rated electrical box.
- Hold the ceiling fan bracket up to the electrical box, aligning the screw holes on the bracket with the mounting holes on the box. Use screws provided in the ceiling box kit or fan bracket kit to secure the bracket to the electrical box.
- Confirm that the bracket is securely attached to the electrical box and there is no wobbling or movement.

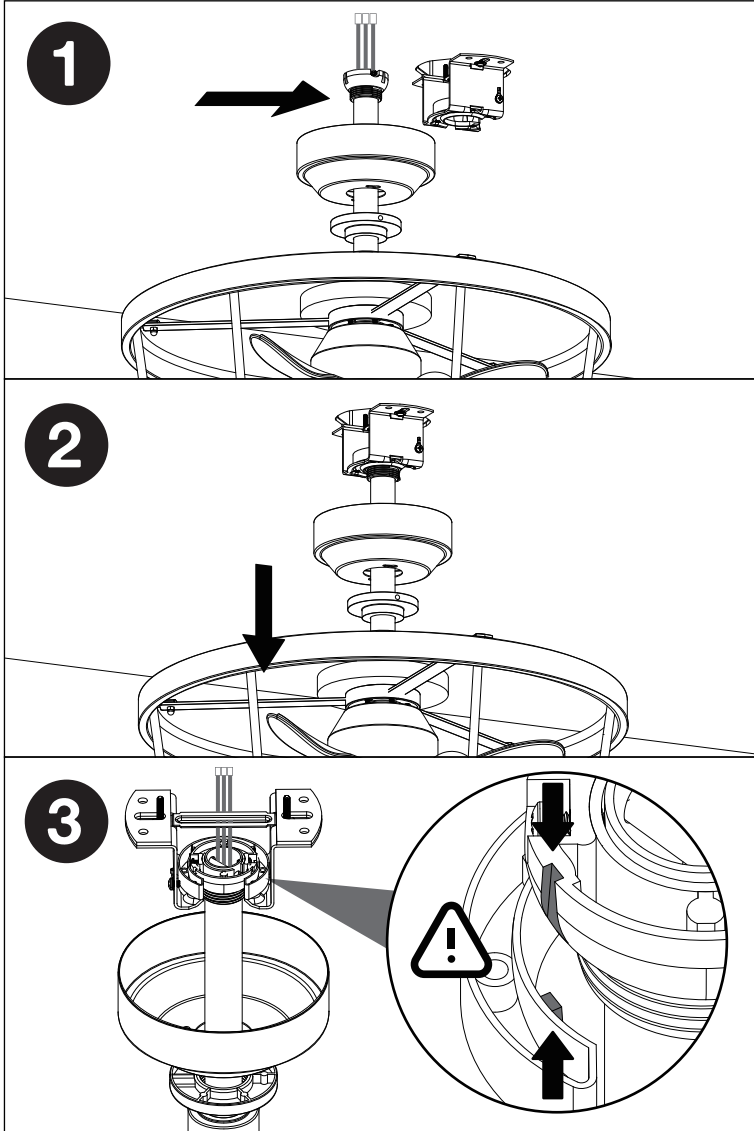


# Mount The Fan



The assembled fan is heavy. Please ask someone for assistance to avoid any accidents.

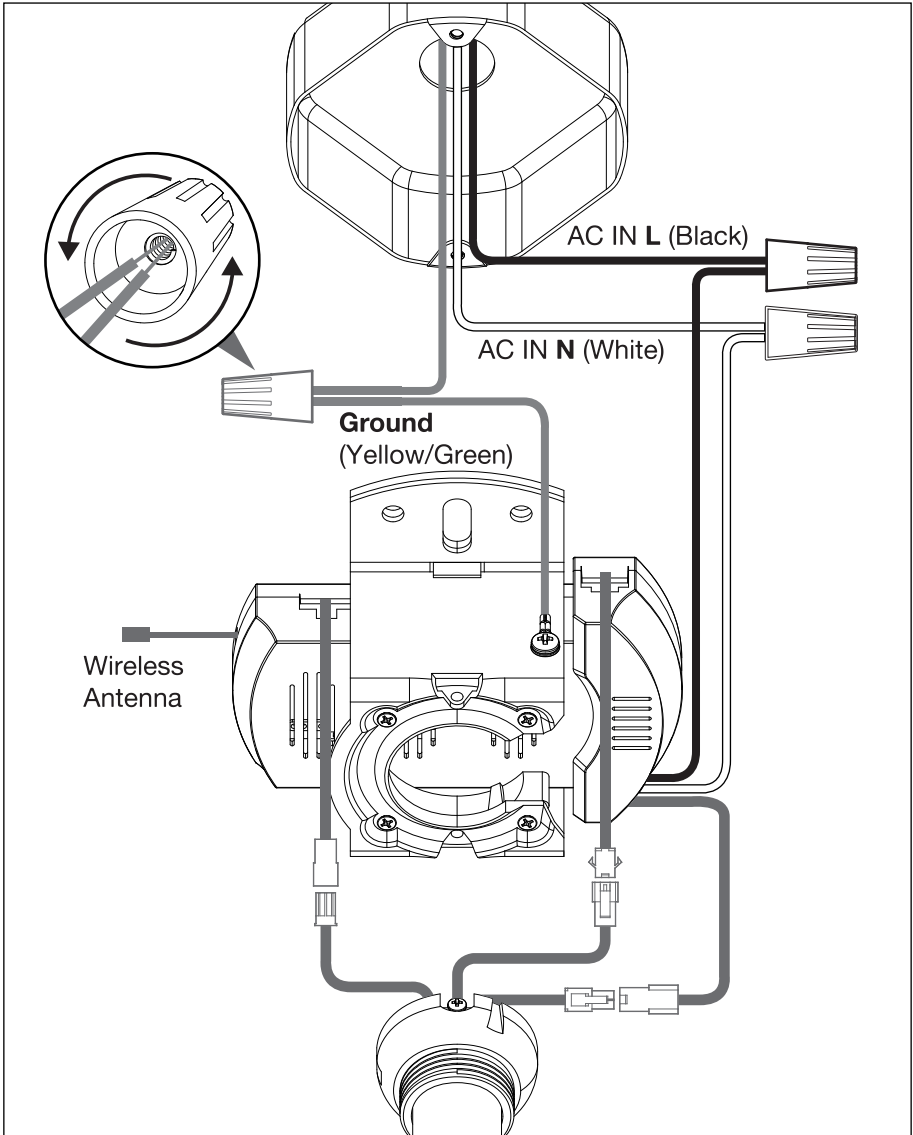
- Assemble the light bulbs, downrod and any other included parts before mounting the fan to the ceiling bracket.



# Electrical Wiring Overview



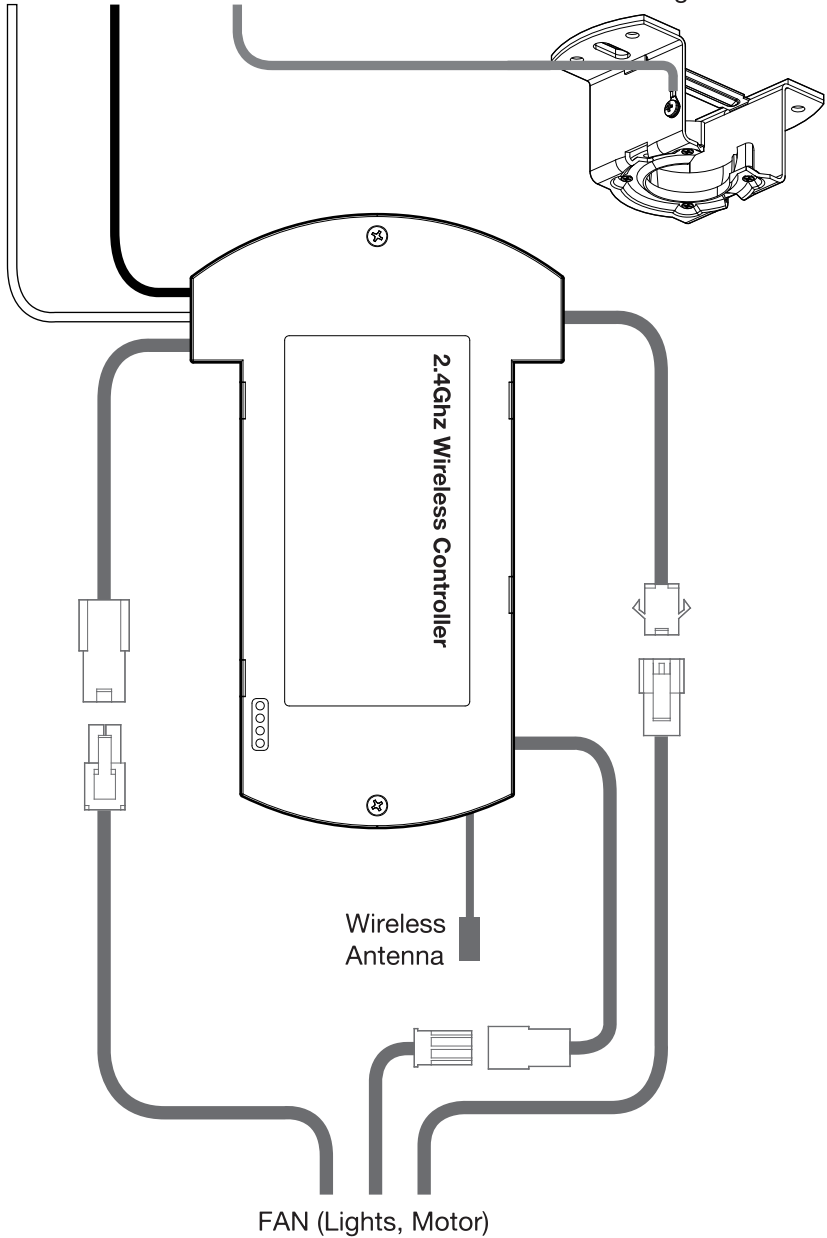
**Electrical Hazards:** Ensure the power is turned off to prevent electric shock. Do not attempt installation in wet or damp conditions. Failure to adhere to these warnings may result in property damage, personal injury, or even death. Install at your own risk and with caution.



# Wireless Controller Wiring

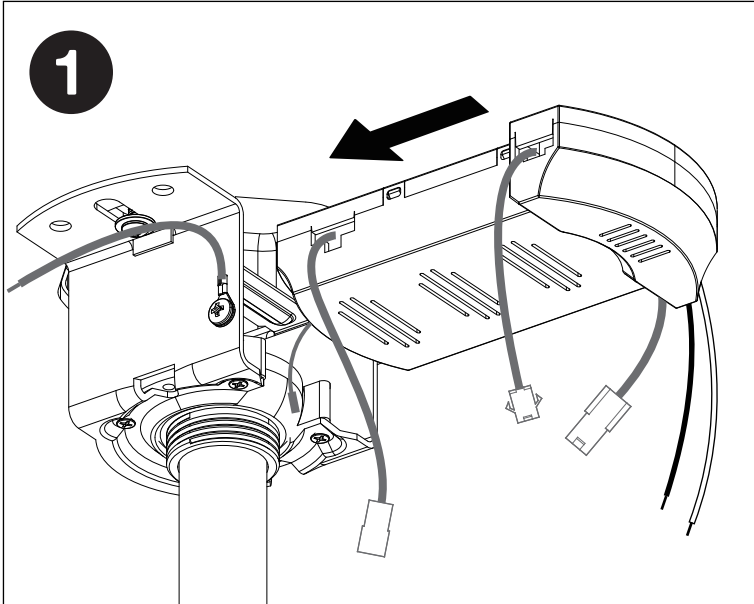
AC IN **N** AC IN **L** **Ground**  
(White) (Black) (Yellow/Green)

Ceiling Bracket

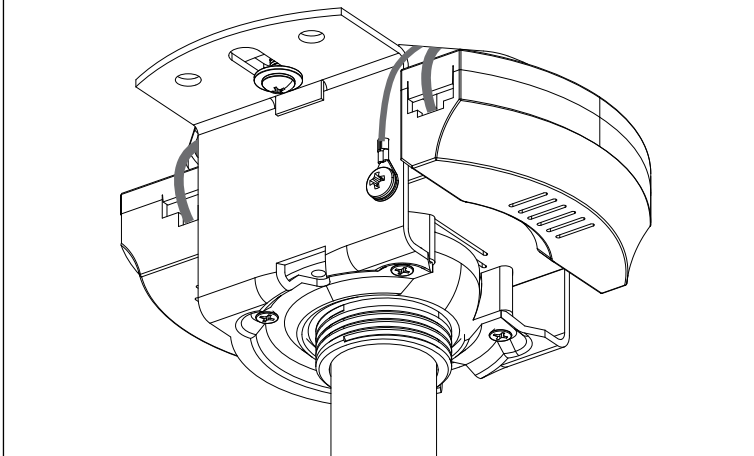


# Install Wireless Controller

- Note: When inserting the controller into the ceiling bracket, handle it with care. Ensure that the electric wires are organized before wiring.

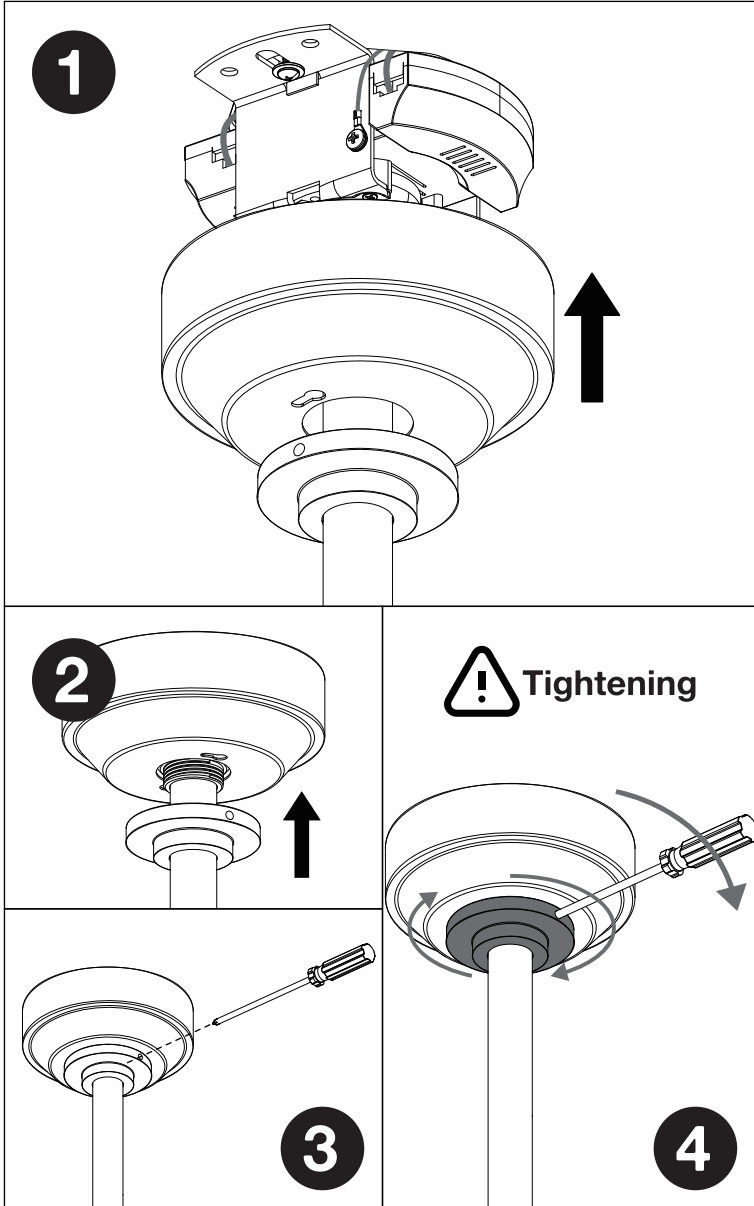


- 2** Connect all wires, referring to the wiring guide on pages 12 and 13.



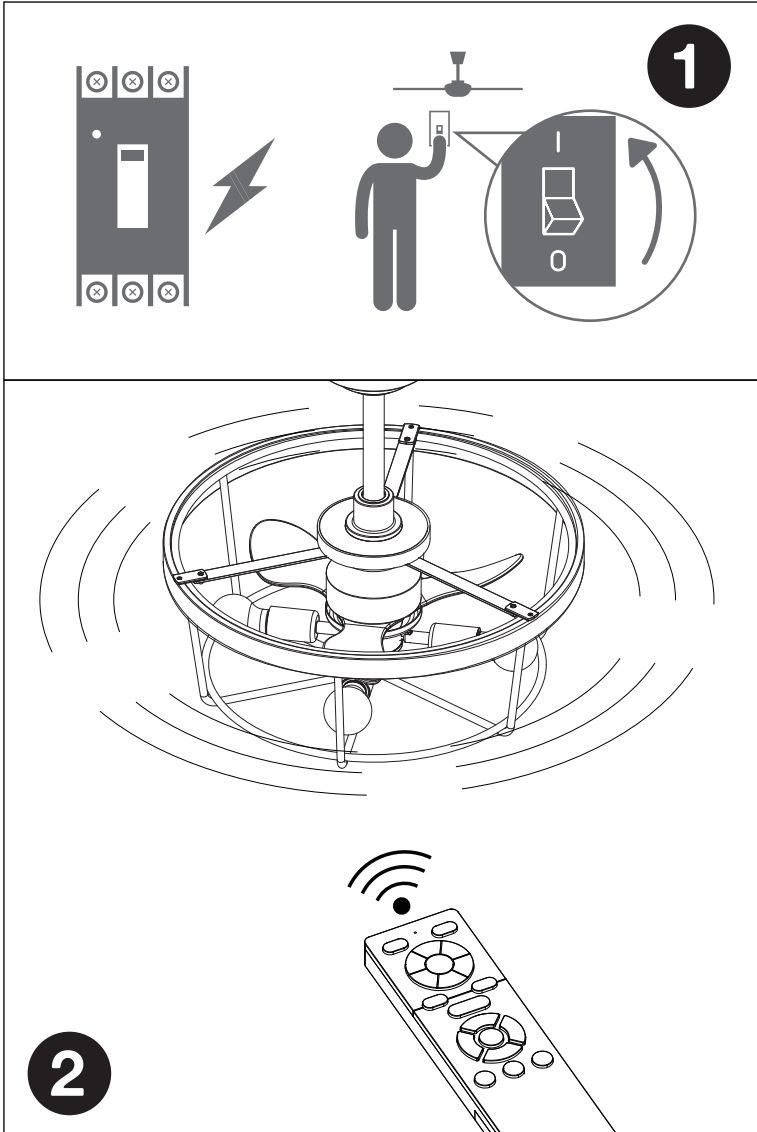
# Complete Installation

- Note: To tighten and secure the canopy in place more easily, use a screwdriver or another suitable tool. Ensure that all wires are fully covered by the canopy.



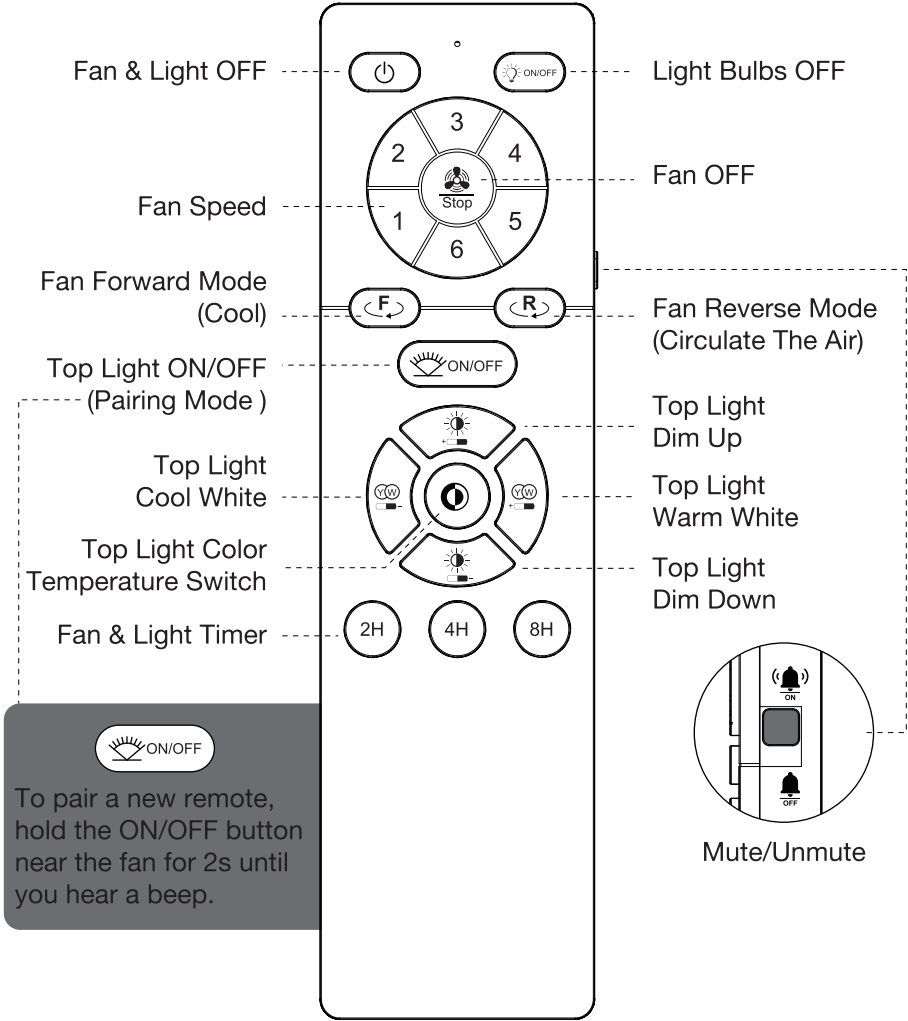
# Start To Use

- Use the included remote control to adjust the fan speed, fan mode, top LED light, and switch the light bulbs. If any of these functions do not work properly, disassemble the fan and repeat the preceding steps to troubleshoot. If the problem persists, contact our customer support for assistance.



# Remote Control

- Keep the remote control clean and free from dust and debris to ensure smooth operation. Avoid exposing it to moisture or extreme temperatures. If you encounter any issues with the remote control, check the batteries first. If the problem persists, contact our customer support for assistance.
- When not in use for an extended period, remove batteries and store the remote control in a dry area.





## Maintenance

To ensure optimal performance and longevity of your fan, please follow these maintenance guidelines:

- **Regular Cleaning:** Dust and debris can accumulate on the fan blades and LED lights, affecting performance and appearance. Clean the fan blades and LED light fixture regularly using a soft, dry cloth or a vacuum cleaner with a brush attachment. Avoid using abrasive cleaners or solvents, as they may damage the finish or components.
- **Checking for Loose Fasteners:** Periodically inspect all screws, bolts, and other fasteners to ensure they are tight and secure. Use a screwdriver to tighten any loose fasteners as necessary. Loose parts can cause noise or vibration during operation and may compromise safety.
- **Inspecting Electrical Connections:** Ensure that all electrical connections are secure and free from damage. If you notice any frayed wires, exposed conductors, or signs of overheating, immediately turn off power to the fan and contact a qualified electrician for repairs.
- **Balancing the Fan:** If you notice excessive wobbling or shaking during operation, the fan blades may be out of balance. Use a balancing kit (often included with the fan) to correct any imbalance. Follow the instructions carefully to ensure proper balance and smooth operation.
- **Safety Precautions:** Always turn off power to the fan before performing any maintenance or cleaning tasks. Use caution when working with electrical components to avoid the risk of electrical shock or injury.
- **Professional Maintenance:** If you encounter any issues beyond your ability to resolve, or if the fan requires servicing or repair, contact a qualified electrician or technician authorized by the manufacturer. Attempting to repair or modify the fan yourself may void the warranty and could result in further damage or injury.

## Specification

Input Voltage: 100~240V AC

Motor Power: 10W

Top LED Light: 15W, 3000K/4000K/6500K

Bulb Compatibility: E26 100~120V 6W LED x4

Assembled Fan Diameter:  $\Phi$ 52.5cm/ 20.7 in

Assembled Fan Height: 51.7cm/ 20.3 in or 41.7cm/ 16.4 in

Assembled Fan Weight: 5.35KG/ 11.8 lbs

## One-Year Limited Hardware Warranty

Your Ceiling Fan (“Product”) includes a One-Year Limited Hardware Warranty (“Warranty”). The Warranty covers product defects in materials and workmanship under normal use. This Warranty is limited to residents of the United States and Canada only and is available only to original purchasers. This Warranty gives you specific legal rights and you may also have other rights which vary from state to state.

This Warranty starts on the date of your purchase and lasts for one (1) year (“Warranty Period”). The Warranty Period is not extended if the Product is repaired or replaced. We may change the availability of this limited warranty at our discretion, but any changes will not be retroactive.

Warranty services are provided by ROLLIBOT. If a hardware defect arises and a valid claim is received within the warranty period, at its option and to the extent permitted by law, ROLLIBOT will: (1) repair the hardware defect by using new or refurbished parts that are equivalent to new in performance and reliability; or (2) exchange the product with a product that is new or refurbished which is substantially equivalent to the original product. This warranty is for one replacement only of like-items and does not cover items out of production if the product is no longer made or stocked. This Warranty is not assignable or transferable.

When a product or part is exchanged, any replacement item becomes your property and the replaced item becomes ROLLIBOT’s property. This warranty only covers technical hardware defectiveness during the warranty period and under normal use conditions. ROLLIBOT does not warrant the uninterrupted or error-free operation of this product.

This warranty does not cover any damage due to: (a) transportation; (b) storage; (c) improper use; (d) failure to follow the product instructions or to perform any preventive maintenance; (e) modifications; (f) unauthorized repair; (g) normal wear and tear; or (h) external causes such as accidents, abuse, or other actions or events beyond our reasonable control.

Important: Do not disassemble the product. Disassembling the product will void this warranty. Only ROLLIBOT or a party expressly authorized by ROLLIBOT should perform service on this product.

**DISCLAIMER OF WARRANTY: THE REMEDIES DESCRIBED ABOVE ARE YOUR SOLE AND EXCLUSIVE REMEDIES AND OUR ENTIRE LIABILITY FOR ANY BREACH OF THIS LIMITED WARRANTY. OUR LIABILITY SHALL UNDER NO CIRCUMSTANCES EXCEED THE ACTUAL AMOUNT PAID BY YOU FOR THE DEFECTIVE PRODUCT, NOR SHALL WE UNDER ANY CIRCUMSTANCES**

**BE LIABLE FOR ANY CONSEQUENTIAL, INCIDENTAL, SPECIAL OR PUNITIVE DAMAGES OR LOSSES, WHETHER DIRECT OR INDIRECT.**

**SOME STATES DO NOT ALLOW THE EXCLUSION OR LIMITATION OF INCIDENTAL OR CONSEQUENTIAL DAMAGES, SO THE ABOVE LIMITATION OR EXCLUSION MAY NOT APPLY TO YOU.**

**THE DURATION AND REMEDIES OF ALL IMPLIED WARRANTIES, INCLUDING WITHOUT LIMITATION THE WARRANTIES OF MERCHANTABILITY AND FITNESS FOR A PARTICULAR PURPOSE ARE LIMITED TO THE DURATION OF THIS EXPRESS LIMITED WARRANTY.**



Copyright© 2024. Rollibot, LLC. All Rights Reserved